



# Webinar: **Introduction to the Femap Meshing Toolbox**

Tommy Board, ATA Engineering  
September 26th 2018

13290 Evening Creek Drive S, Suite 250, San Diego CA 92128

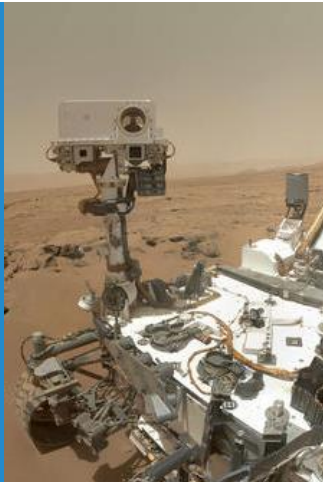
 (858) 480-2000  [www.ata-e.com](http://www.ata-e.com)  
 [ata-engineering](https://www.linkedin.com/company/ata-engineering)  [@ATAEngineering](https://twitter.com/ATAEngineering)

# What We Do

ATA Engineering's **high-value engineering services** help solve the most challenging product design challenges



Aerospace



Robotics  
& Controls



Themed  
Entertainment



Defense



Industrial &  
Mining  
Equipment



Consumer  
Products



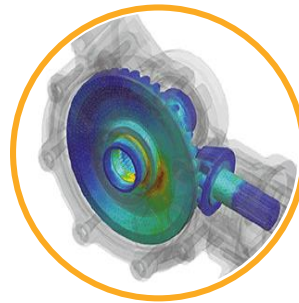
# Our Services

We provide our customers with **complete, integrated solutions**



## Design

From initial concept development to detailed structural design



## Analysis

Comprehensive structural, fluid, acoustic, and thermal analysis services



## Test

Industry-leading structural test services for extreme loading environments

# Our Software Services

ATA is a value-added reseller for **Siemens PLM Software**

➤ Siemens product lines we support include

- STAR-CCM+
- Femap
- NX Nastran
- Simcenter 3D
- NX CAD & CAM
- Teamcenter
- Solid Edge

➤ Contact the hotline at 877-ATA-4CAE or  
<http://ata-plmsoftware.com/support>

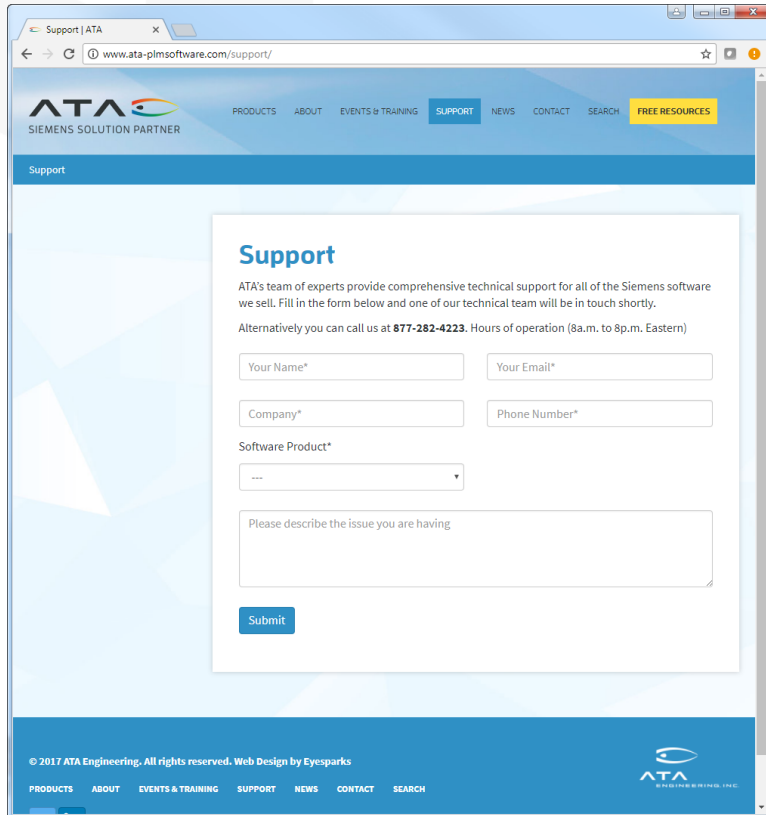
➤ Developer of the official NX Nastran training materials

➤ Preferred North American provider of NX Nastran training

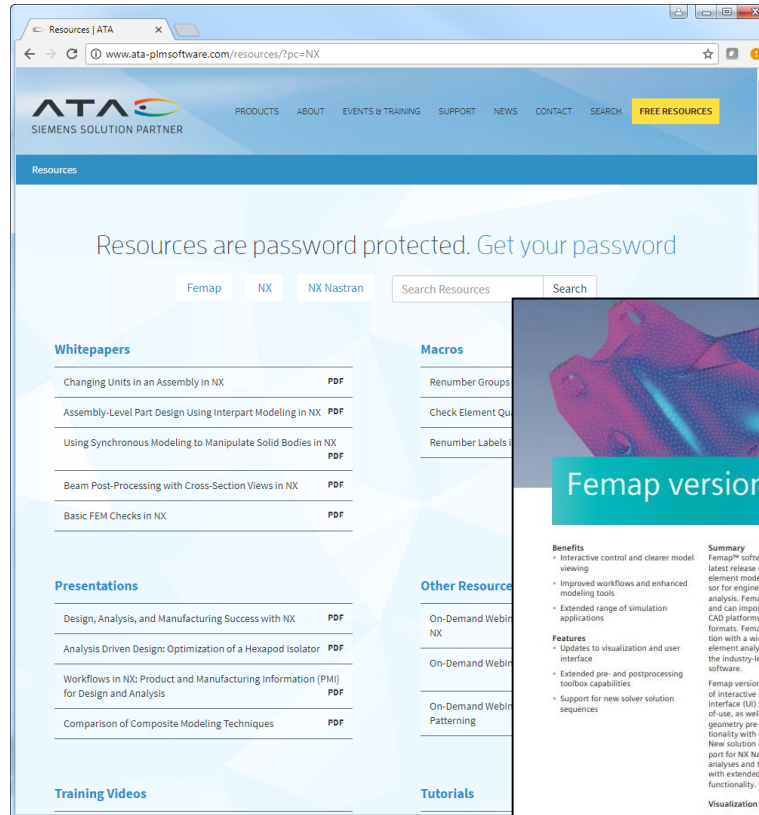


# Our Online Resources

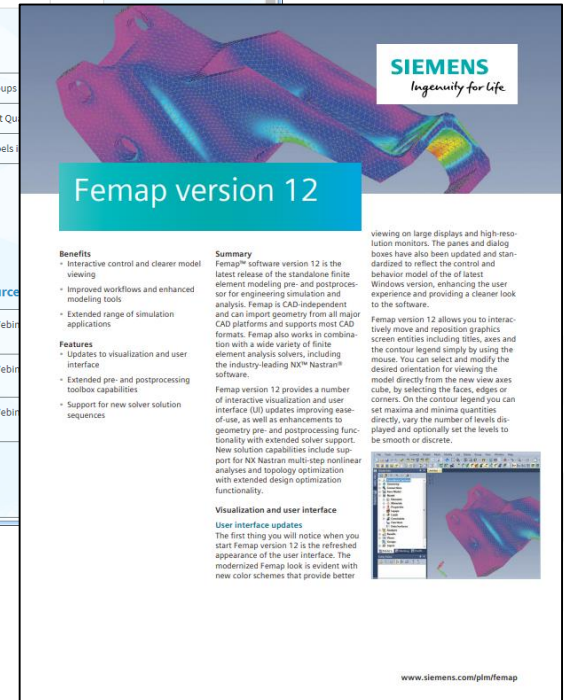
www.ata-plmsoftware.com



The screenshot shows the ATA Support page. The header includes the ATA logo and navigation links: PRODUCTS, ABOUT, EVENTS & TRAINING, SUPPORT, NEWS, CONTACT, SEARCH, and FREE RESOURCES. The main content area is titled "Support" and contains a form for requesting technical assistance. The form fields include "Your Name\*", "Your Email\*", "Company\*", "Phone Number\*", and "Software Product\*" (a dropdown menu). A text area is labeled "Please describe the issue you are having". A "Submit" button is located at the bottom of the form. The footer contains the copyright notice "© 2017 ATA Engineering, All rights reserved. Web Design by Eyesparks" and the ATA logo.



The screenshot shows the ATA Resources page. The header is identical to the Support page. The main content area is titled "Resources" and features a large heading: "Resources are password protected. Get your password". Below this heading are tabs for "Femap", "NX", and "NX Nastran", along with a search bar labeled "Search Resources". The page is organized into several sections: "Whitepapers" (listing documents like "Changing Units in an Assembly in NX" and "Assembly-Level Part Design Using Interpart Modeling in NX"), "Presentations" (listing topics like "Design, Analysis, and Manufacturing Success with NX"), "Training Videos", "Macros" (listing "Renumber Groups" and "Check Element Qu"), "Other Resource" (listing "On-Demand Webinar NX" and "On-Demand Webinar Patterning"), and "Tutorials".

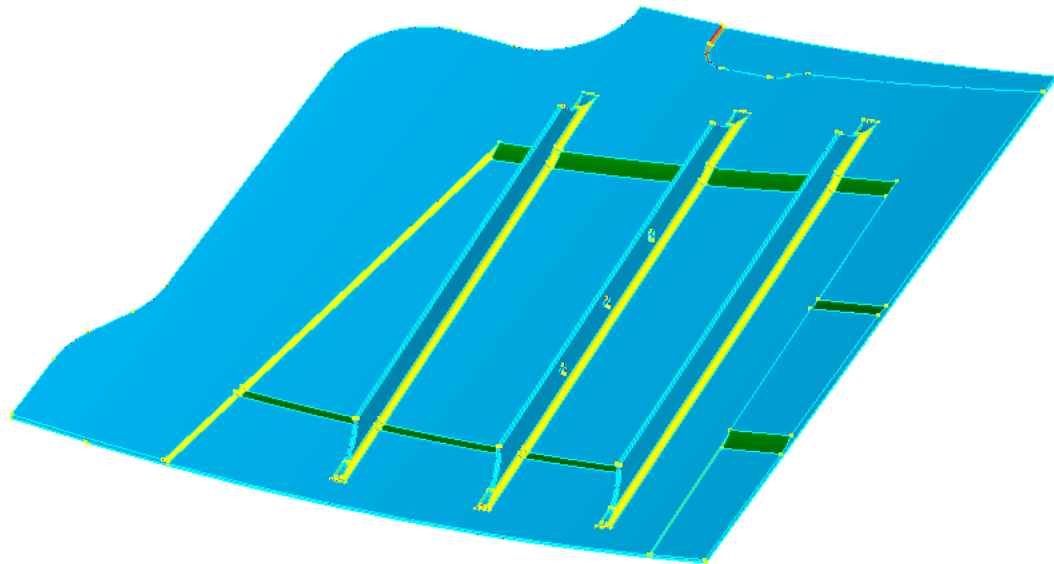


The graphic is a promotional page for Femap version 12. It features a large, colorful 3D model of a mechanical part with a stress analysis overlay. The text "Femap version 12" is prominently displayed in a blue box. To the right, the Siemens logo is visible with the tagline "Ingenuity for Life". The page is divided into sections: "Benefits" (listing interactive control and clearer model viewing), "Features" (listing updates to visualization and user interface), "Summary" (describing Femap's capabilities), and "Visualization and user interface" (highlighting user interface updates). A small inset image shows the Femap software interface. The URL "www.siemens.com/plm/femap" is at the bottom right.

# Demo Outline

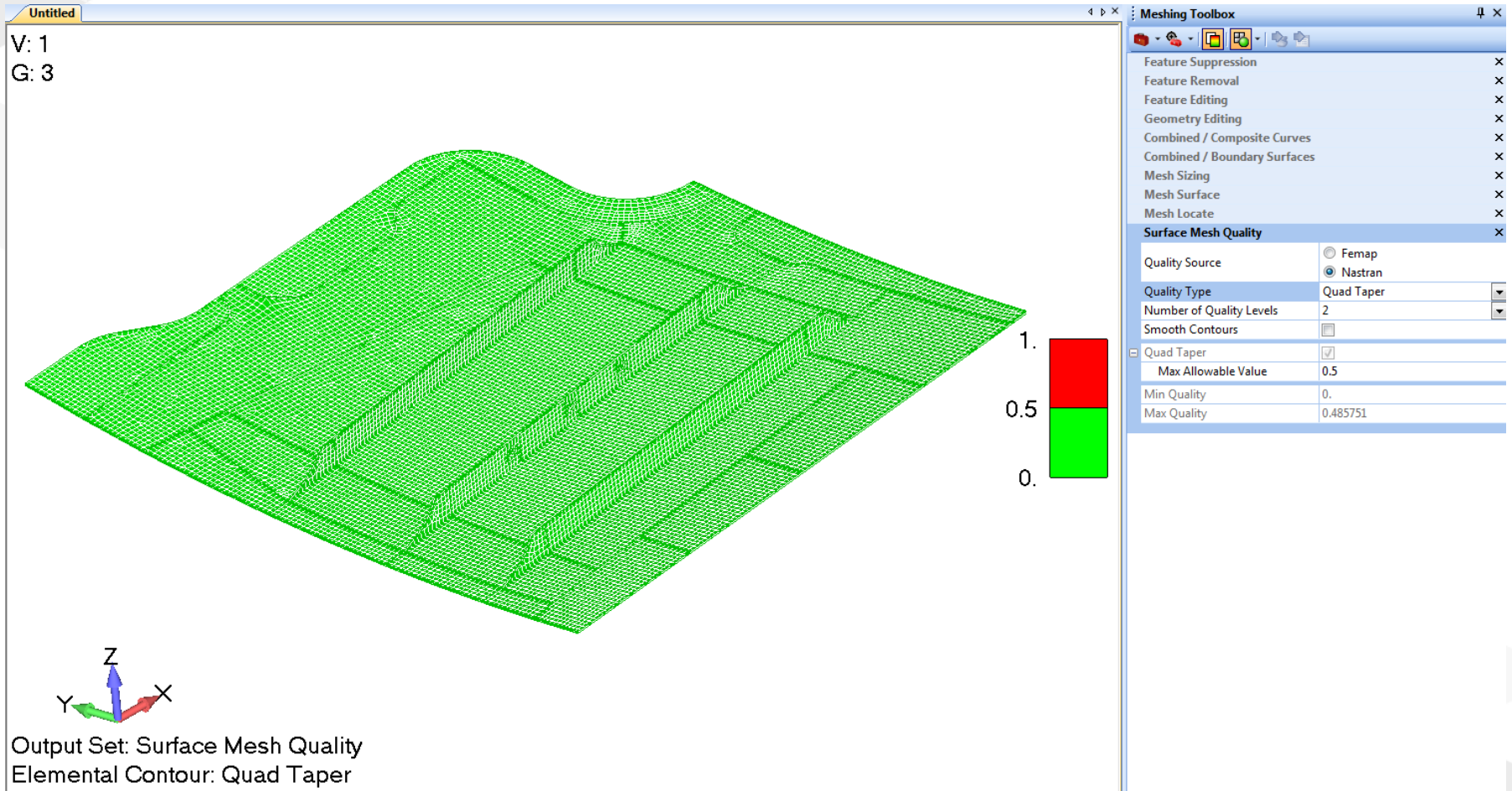
---

- Femap Meshing Toolbox
  - Clean up 3D geometry
  - Edit hole features
  - Create surfaces from 3D geometry
  - Prepare surfaces for meshing
  - Mesh surfaces with 2D elements
  - Evaluate surface mesh quality
  - Fine tune the mesh





# Demo: Femap Meshing Toolbox



# Contact Us



13290 Evening Creek Drive S  
Suite 250, San Diego, CA 92128



(858) 480-2000



plm\_sales@ata-e.com



[www.ata-e.com](http://www.ata-e.com)

[www.ata-plmsoftware.com](http://www.ata-plmsoftware.com)



@ATAEngineering



ata-engineering